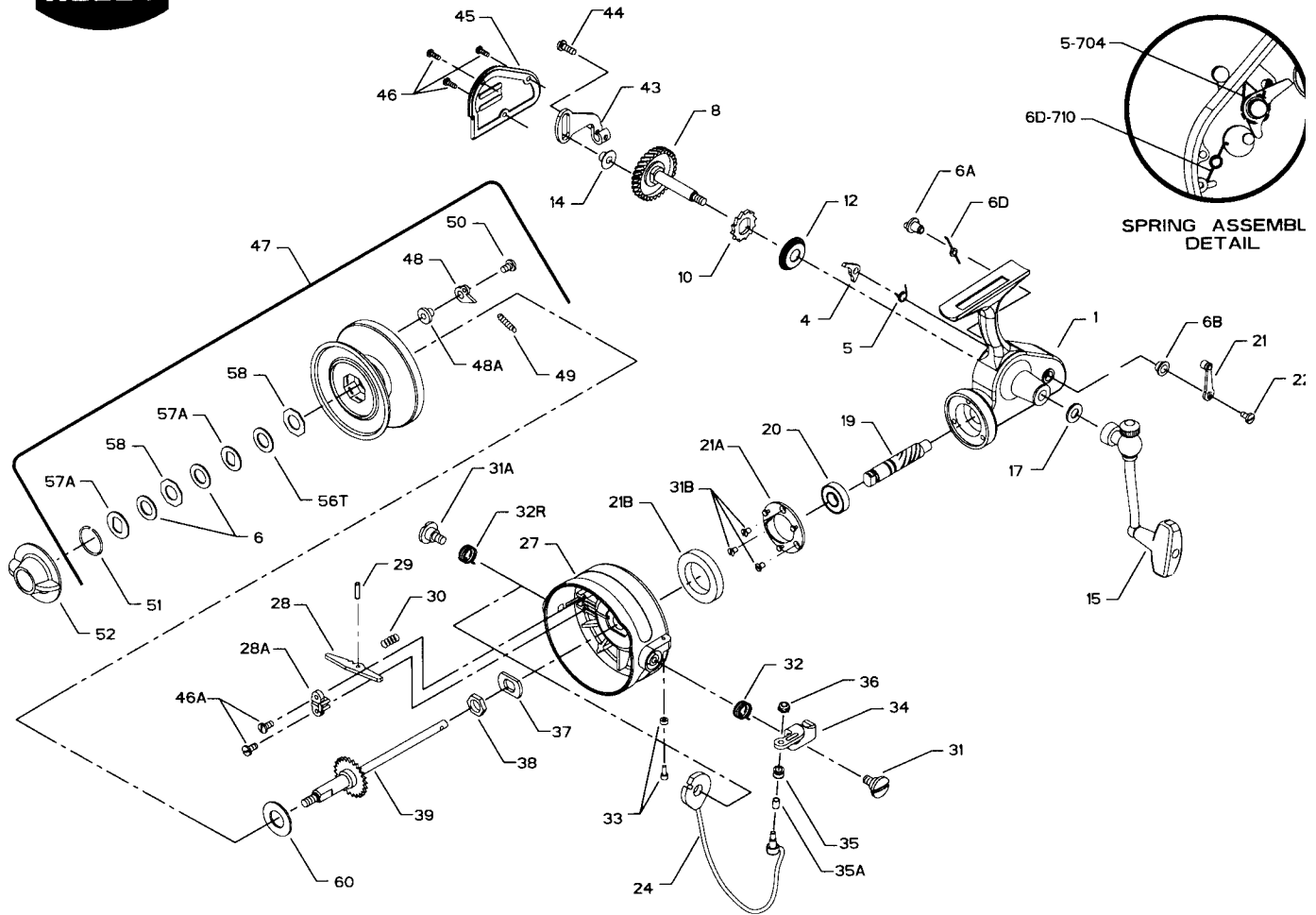




## PARTS AND PRICE LIST FOR MODELS 704Z AND 705Z



Key No.	Part No.	Description	Price	Key No.	Part No.	Description	Price
1	*1-704Z	Housing w/Bushing	\$15.60	31B	31-19	Bearing Cover Screw (3 req.)	.4
4	4-704	Dog	.80	32	32-704	Bail Spring	.9
5	5-704	Dog Spring	.50	32R	32R-704	Secondary Bail Spring	.9
6	6-60	Drag Washer-HT100 (2 req.)	.70	33	33-704	Bumper	.9
6A	6A-704	Eccentric	1.10	34	34-704	Bail Arm	3.0
6B	6B-700Z	Eccentric Liner	.40	35	35-704	Line Roller	3.7
6D	6D-710	Eccentric Spring	.45	35A	35A-704	Roller Sleeve	.4
8	*8-704	Main Gear w/Ratchet	10.15	36	36-700	Bail Lock Nut	.8
10	10-704	Ratchet	1.10	37	37-704	Rotor Cup Washer	.4
12	12-704	Main Gear Thrust Washer	.50	38	38-704	Rotor Cup Nut	.4
14	14-710	Crosswind Roller	.45	39	39-704	Spool Shaft	6.3
15	*15-704Z	Handle (Complete)	8.80	43	*43-704	Crosswind Arm	2.1
17	17-710	Handle Washer	.50	44	44-704	Crosswind Screw	.4
19	19-704	Pinion Gear	8.80	45	*45-704Z	Housing Plate	2.3
20	20-704	Pinion Bearing	16.00	46	46A-704	Housing Plate Screw (3 req.)	.4
21	21-109	Eccentric Lever	1.50	46A	46A-704	Retaining Screw (2 req.)	.4
21A	21-704	Bearing Retainer	1.90	47	47-704Z	Spool (Complete)	14.7
21B	21B-704	Rotor Brake	1.50	48	48-450	Click Tongue	.4
22	22-109	Eccentric Screw	.50	48A	48A-750	Click Tongue Washer	.4
24	24-704	Bail Wire	8.25	49	49-710	Click Spring	.4
27	27-704Z	Rotor Cup	12.45	50	22-750	Click Screw	.4
28	28-704	Bail Release Arm	1.60	51	51-704	Retaining Spring	.4
28A	28A-704	Bail Release Saddle	.80	52	52-750	Drag Knob	5.3
29	29-704	Bail Release Pin	.40	56T	56T-704	Drag Washer (Teflon®)	.4
30	30-700	Bail Release Spring	.40	57A	57A-750	Metal Keyed Washer (2 req.)	.4
31	31-700	Bail Arm Screw	1.00	58	58-704	Metal Washer (Octagon) (2 req.)	.4
31A	31-700	Bail Screw	1.00	60	60-710	Rear Drag Washer (Teflon®)	.4

\*For 705Z models order these parts with Model suffix (i.e. 1-705Z Housing with Bushing)  
 Prices and specifications subject to change without notice.